

i

manual+ sensor plus soap/foam dispenser

Manueller/Sensor-Seifen/
Schaumseifen-Spender

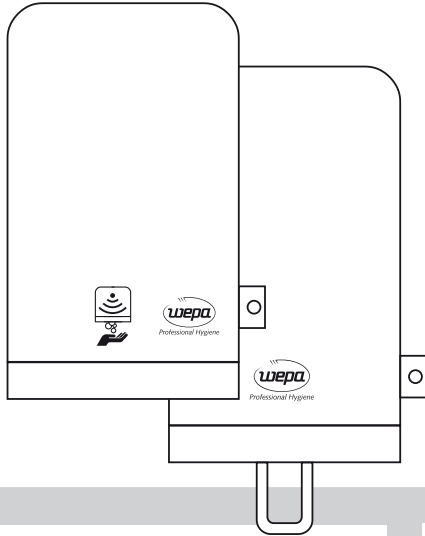
Distributeur savon/
savon mousse manuel/Sensor

Dozownik do mydła w płynie/pianie






ASSEMBLY INSTRUCTIONS

+ 331100.5

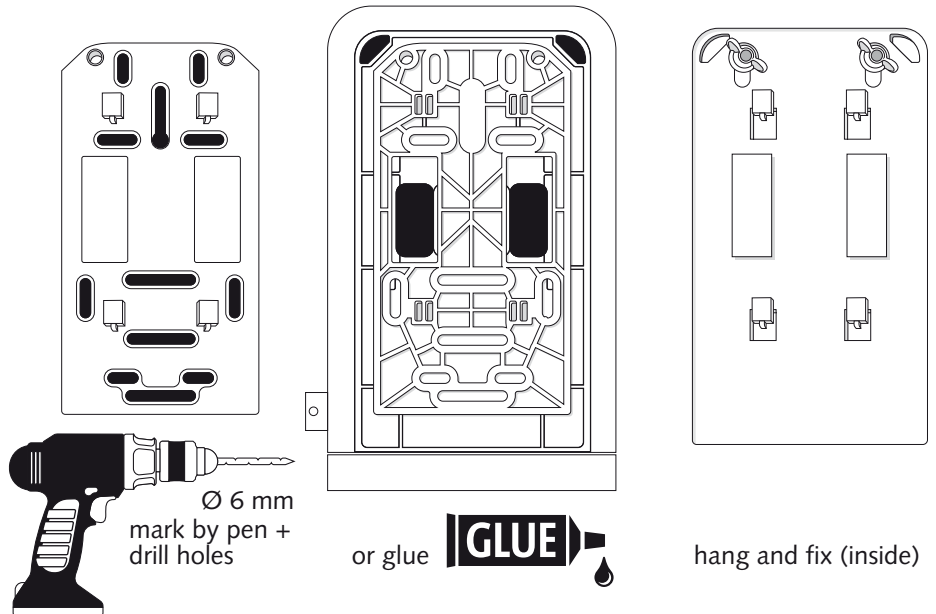
Art. No.: 331060.5



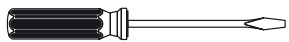
Supplied

- 4x  4x 
- 6 mm 3,5 mm x 30 mm
- 2x  2x 
- 1x  Magic Ring

Assembly plate



Needed tools



to exchange the bag

liquid soap 

Art.-No. 331390

foam soap 

Art.-No. 331380

Art.-No. 331500

foam soap free 

Art.-No. 335320



adjust clip
between
angles

minimum distance
to plate > 20 cm

For a problem-free operation
use only WEPA Professional
OEM consumables

www.wepa-professional.de





manual+ sensor plus soap/foam dispenser

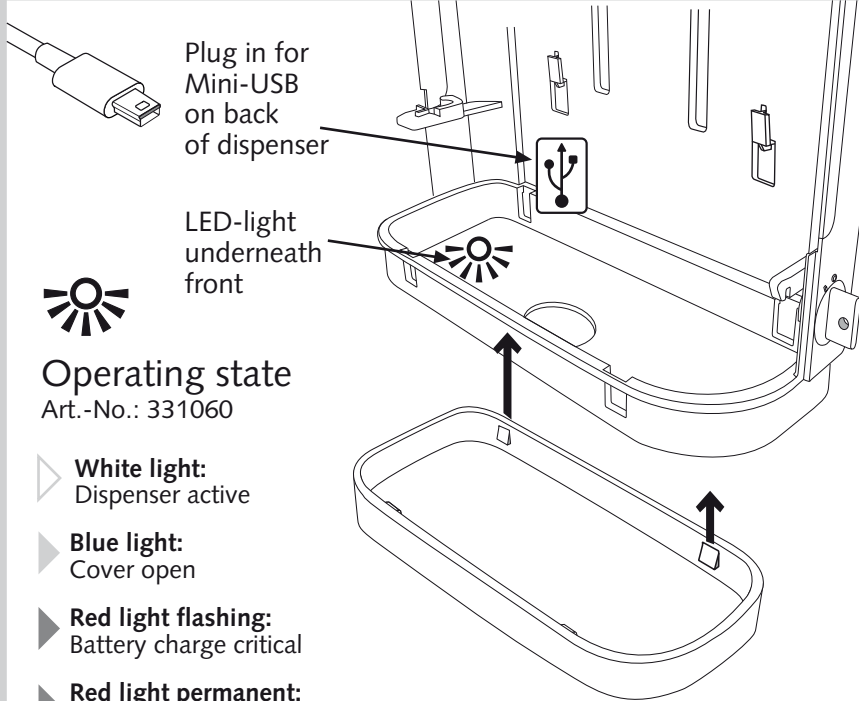
ASSEMBLY INSTRUCTIONS



Professional Hygiene

+ 331100.5

Art. No.: 331060.5

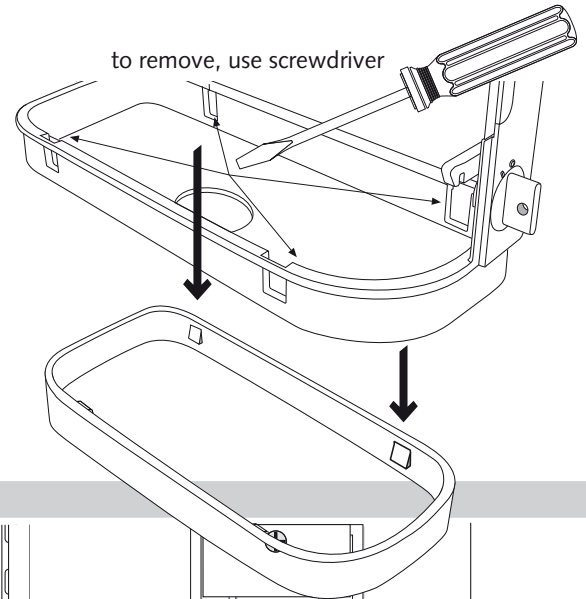
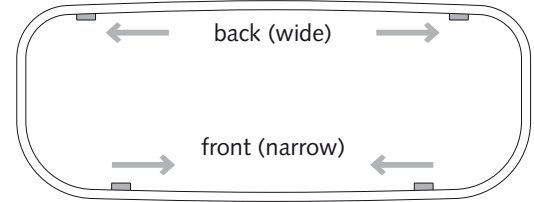


Operating state

Art.-No.: 331060

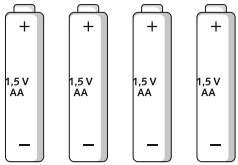
- ▶ **White light:**
Dispenser active
- ▶ **Blue light:**
Cover open
- ▶ **Red light flashing:**
Battery charge critical
- ▶ **Red light permanent:**
Battery charge insufficient

design-ring



Sensor
Soap/Foam
Dispenser Plus
Art.-No.: 331060

Battery use
4x Only use type No.:
1,5 V Type AA

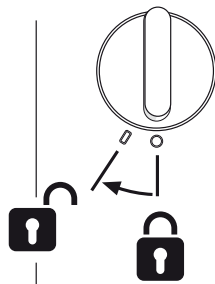


Optional:
Mini-USB mode
external accessory part

Mini-USB 5V / 1000 mA



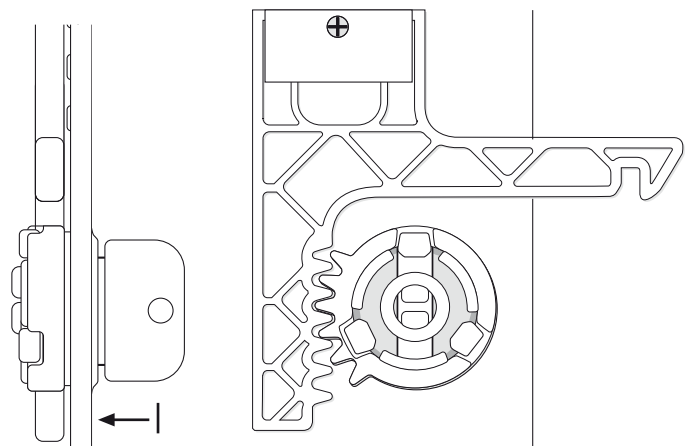
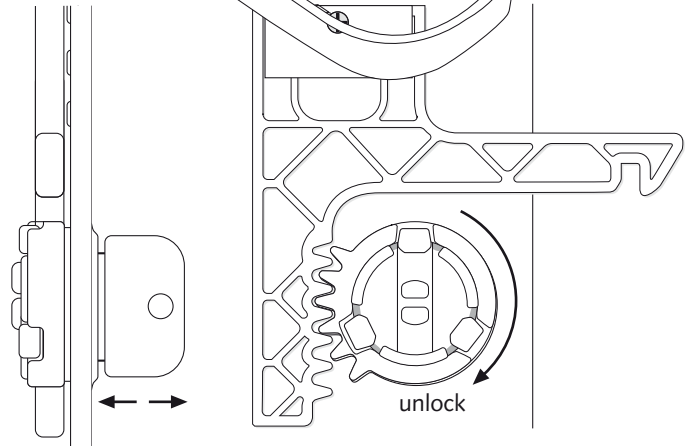
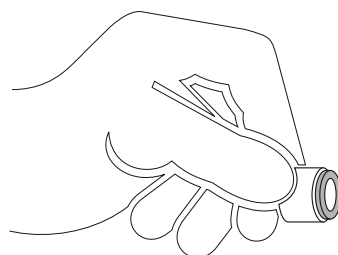
Key-Lock



Standard Lock

Permanent Key

adjust Magic Ring with red side in front to lock the key



Video
„Mounting and Locking System“